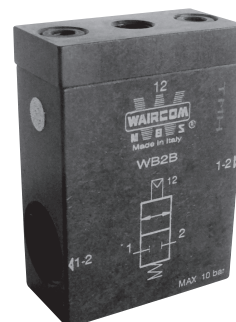


DESCRIPTION

Block valves series "WB" are produced in the 2/2 - G 1/8, G 1/4 and G 1/2 monostable pneumatic functions in both the uni- and bi-directional versions. The working of the block valve consists in avoiding unexpected depressurisation of the cylinder's chamber due to lack of compressed air at the piloting port. For a correct functioning of the block valves we suggest to mount them directly on the cylinder.



3

TECHNICAL DATA

Operating pressure	0 ÷ 10 bar
Minimum piloting pressure (at 10 bar)	G 1/8 = 2,5 bar G 1/4 = 4 bar G 1/2 = 5 bar
Working temperature	0 ÷ +70 °C (-10 °C with dry air)
Fluid	Compressed air, filtered, continuous lubricated, unlubricated or dry lubricated
Port size	G 1/8 - G 1/4 - G 1/2
Pneumating piloting port size	G 1/8
Nominal diameter	G 1/8 = 5 mm G 1/4 = 7 mm G 1/2 = 12 mm
Flow rate at 6 bar (with ΔP = 1 bar)	G 1/8 = 500 NI/min G 1/4 = 700 NI/min G 1/2 = 1900 NI/min

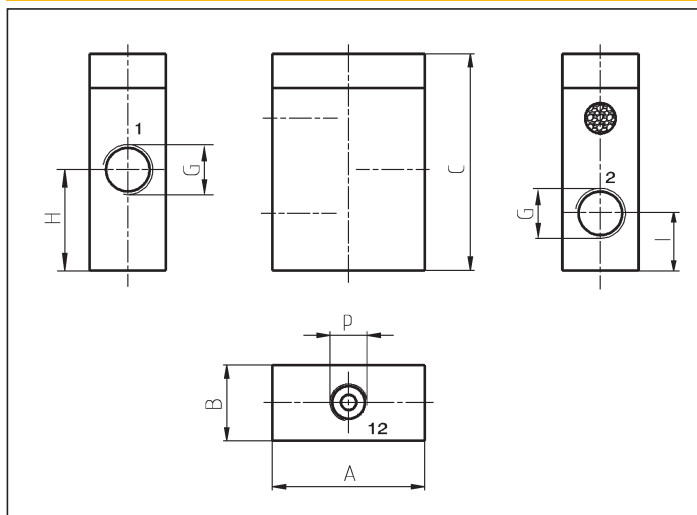
MATERIALS

Control rod	Anodized aluminium alloy
Body	Anodized aluminium alloy
Spring	Stainless steel
End plug	Nick-plated brass
Seals	NBR rubber
Washer	Brass

SPARE PARTS

SEALS KIT	
G 1/8	WB/SG/8
G 1/4	WB/SG/4
G 1/2	WB/SG/2

DIMENSIONS AND WEIGHTS



Symbol	A	B	C	H	I	P	Weight (g)	G	TYPE
	31	16	47	21,5	11,5	G 1/8	61	G 1/8	WB8U
	40	20	57	26,5	15		120	G 1/4	WB4U
	50	25	69	34,5	18		220	G 1/2	WB2U
	31	16	47	21,5	11,5	G 1/8	61	G 1/8	WB8B
	40	20	57	26,5	15		120	G 1/4	WB4B
	50	25	69	34,5	18		220	G 1/2	WB2B

DESCRIPTION OF THE CONNECTION

1 = INPUT
2 = CYLINDER
12 = PILOTING